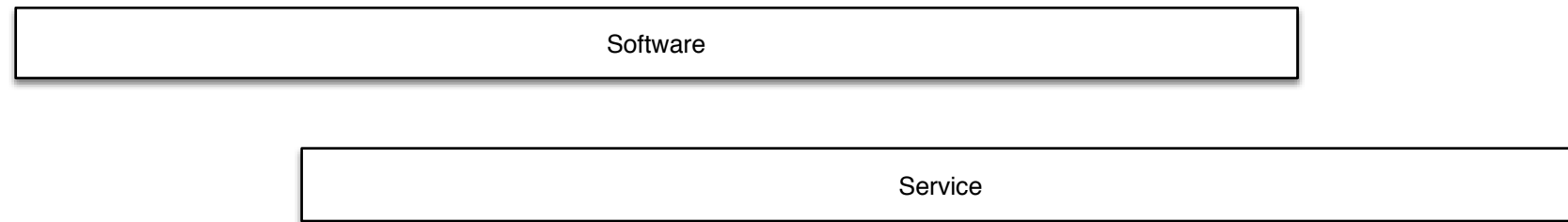


Testing and monitoring tools

Roland Hedberg@REFEDS

26th October 2014

When



- Before

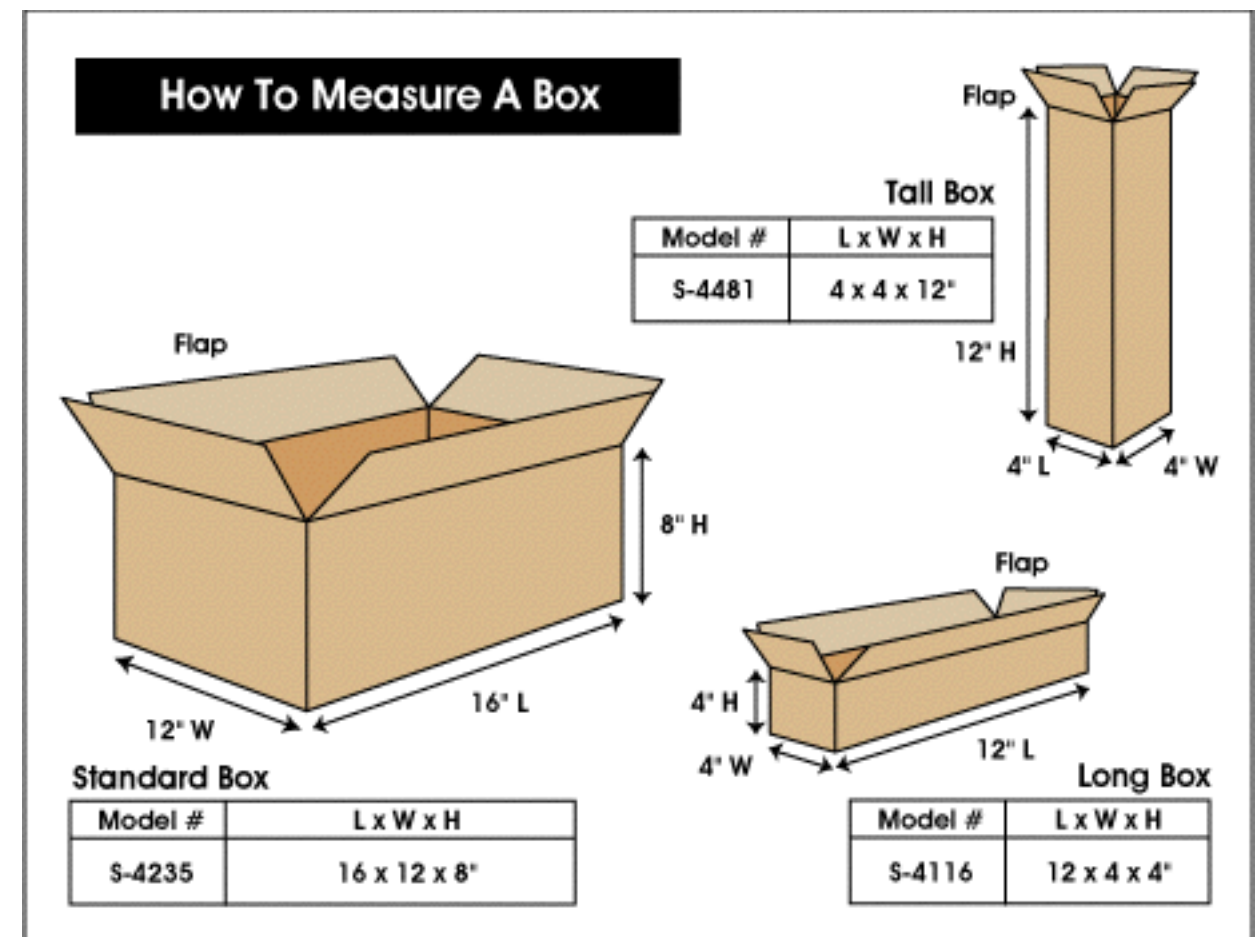
- release of new software
- start of service

- During

- new software versions
- updated services

Saml2test

- Verifies that the implementation/installation conforms to the standard and the profile.



Metadata analysis

- Verifying the correctness of the metadata
- an example
 - code of conduct support
 - <http://monitor.edugain.org/coco/>



Verify_entcat

- Verifies that a IdP understands and acts according to a entity category.



This utility can test all IdP's contained in the metadata configured for its service provider.

An overview of test results from previously tested IdP's is available [here](#)

NOTE:

To run this utility your IdP must be allowed to be viewed in IFrames!

Do not use X-Frame-Options in the HTTP response header or add ALLOW-FROM for samltest.swamid.se in the X-Frame-Options.

▶ [Show instructions](#)

Available tests

[Run all tests](#)

Description ▼	Status ▼	Test
▶ Base category	Not run	Run test
▶ CoC	Not run	Run test
▶ NREN	Not run	Run test
▶ RE & EU	Not run	Run test
▶ RE & HEI	Not run	Run test
▶ RE & NREN	Not run	Run test
▶ RE & NREN & SFS	Not run	Run test
▶ RS	Not run	Run test
▶ SFS	Not run	Run test



Test utility for verifying your IdPs category compliance

This utility can test all IdP's contained in the metadata configured for its service provider.

An overview of test results from previously tested IdP's is available [here](#)

NOTE:

To run this utility your IdP must be allowed to be viewed in IFrames!

Do not use X-Frame-Options in the HTTP response header or add ALLOW-FROM for samltest.swamid.se in the X-Frame-Options.

► [Show instructions](#)

Available tests

Run all tests

Description ▼	Status ▼	Test
► Base category	Too many	Run test
► CoC	Too few & too many	Run test
► NREN	Too many	Run test
► RE & EU	Too few & too many	Run test
► RE & HEI	Too few & too many	Run test
► RE & NREN	Too few & too many	Run test
► RE & NREN & SFS	Too few & too many	Run test
► RS	Too many	Run test
► SFS	Too few & too many	Run test

mccs

Metadata Consumption Check Service

- Checks if a IdP want to talk to a SP.
- <https://docs.google.com/document/d/17rdWiKAC2JsUINwRbV1kipDUgBg5s308QdL0RiPWP3E/edit#heading=h.81dabmgmjc7q>



IdP Monitor

- Verifies that the whole authentication process works for a user.
- Can be integrated into Nagios
- Can be used to test performance

